

Window Installation Guide

Manufacturer: Renaissance GSB

Product Features :

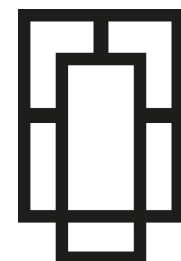
- Solid Bronze Extrusions
- Thermally Broken Design
- Cardinal 366 LowE Tempered Insulated glass
- Silicone Bulb Weatherstripping
- Stainless Steel, Multi-point Locks
- Sandcast Bronze Levers
- Key Exteriors, Thumbturn Interiors
- 1/2" Thresholds
- Custom Patina Finish

Safety First! Use Good Judgement and Common Sense.

These instructions are in no way intended to anticipate all the jobsite conditions, and the contractors are responsible to apply these guidelines with safety and good workmanship.

General Notes :

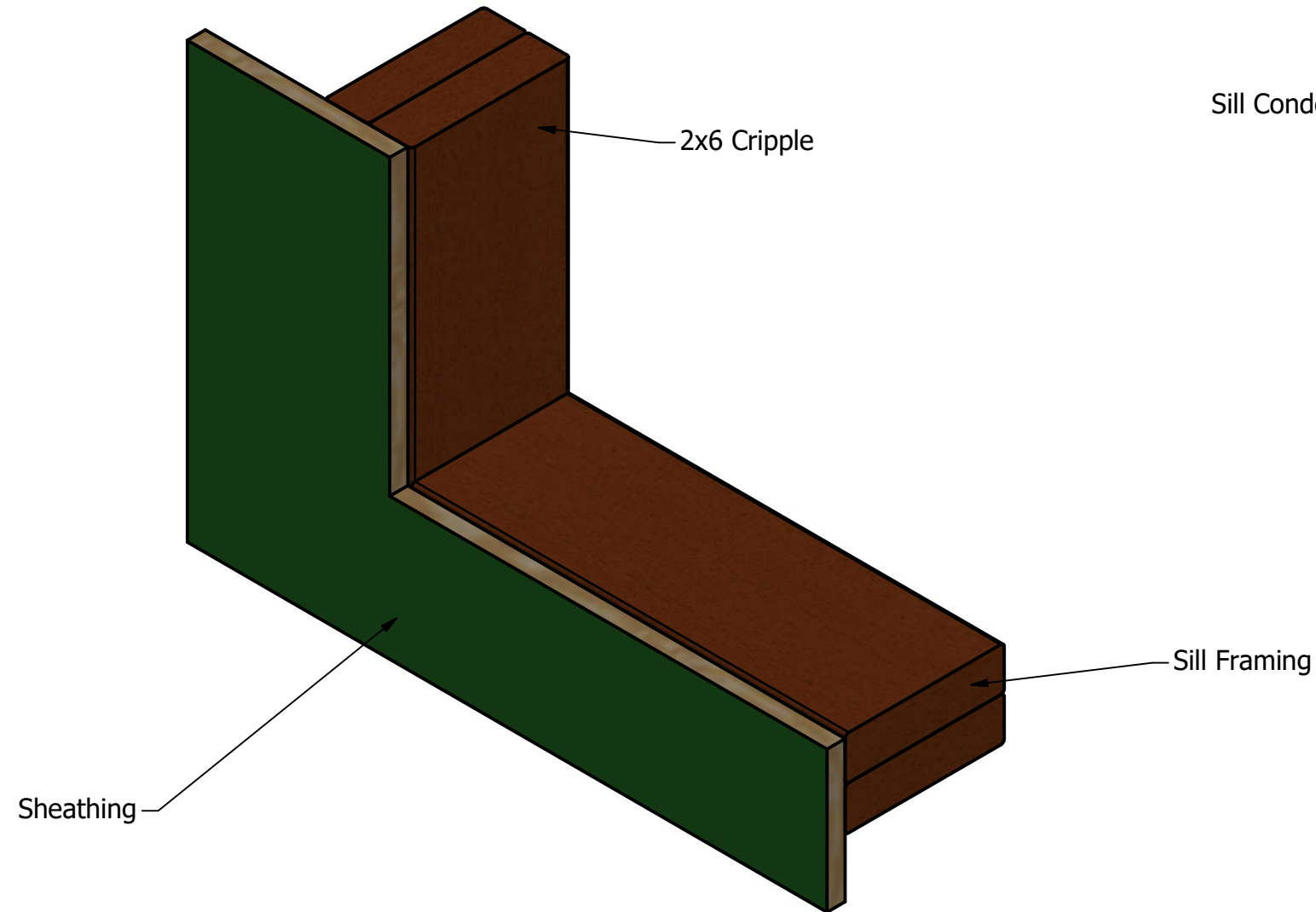
- 16 oz Copper Drainpans supplied by others
- All field applied sealants to be compatible with Copper alloys
- Product to be stored in protected, dry area on a flat surface
- Contractor is responsible to protect the product on all phases of construction
- Any discrepancies are to be communicated with the manufacturer
- Operable units are not to be opened prior to the anchor plates being fastened to structure
- Satisfactory waterproofing and operation must be established prior to finishes being applied



RENAISSANCE
GENUINE SOLID BRONZE

Step 1: Pre-installation inspection

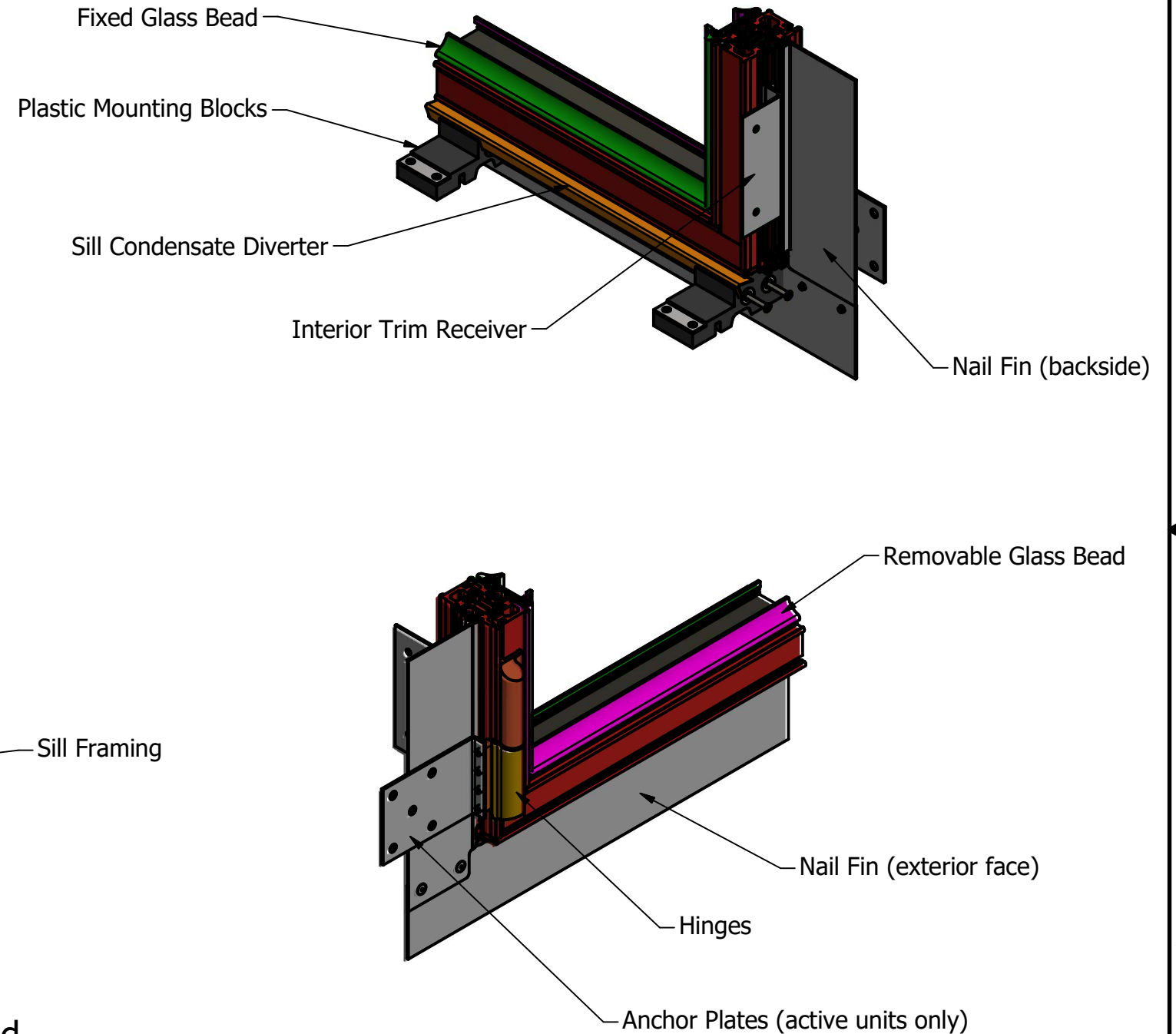
Framed Openings



Checklist:

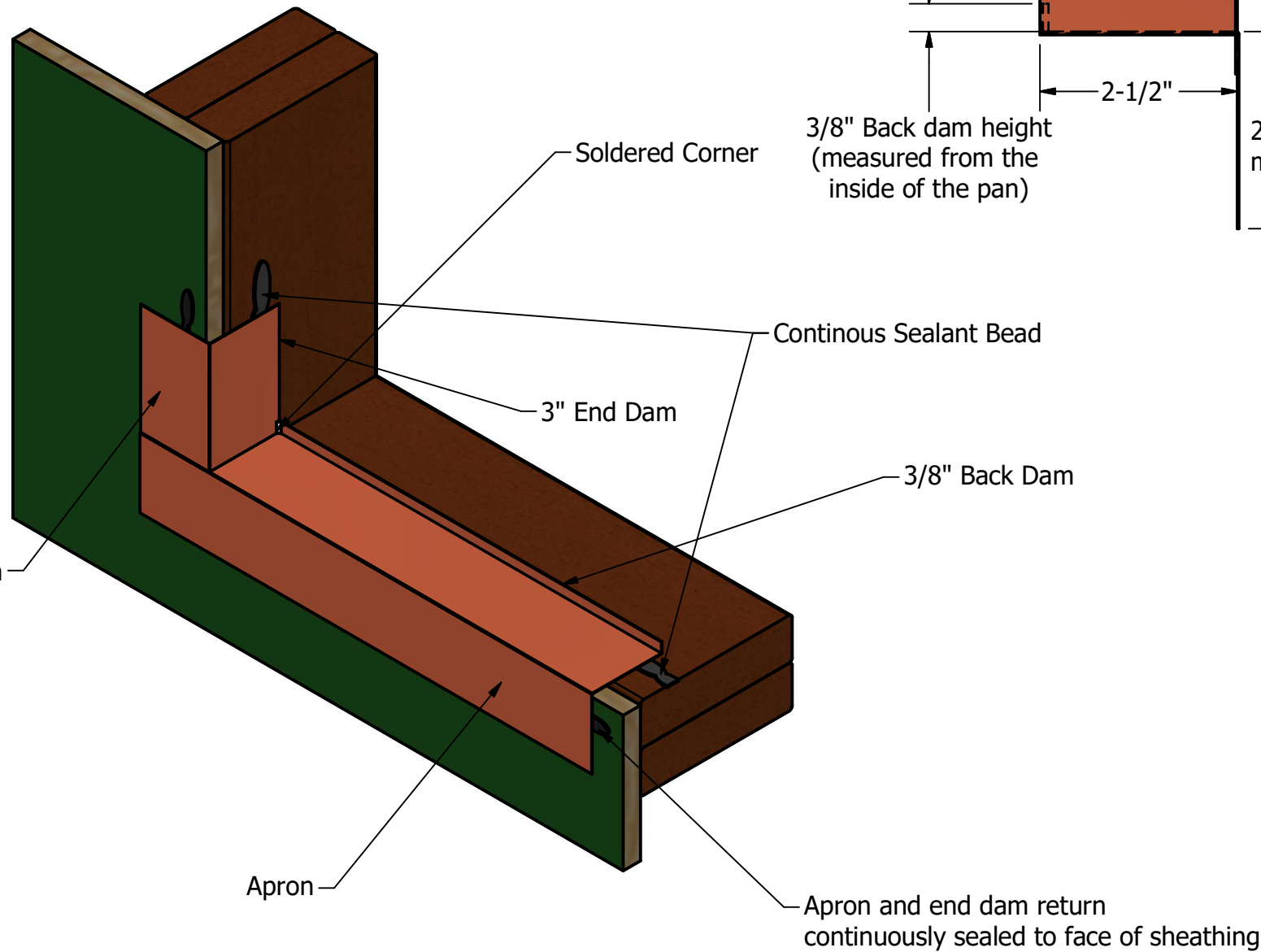
- Sheathing, cut flush with opening and sufficiently nailed
- Opening is free of debris and is clean & dry
- Confirm sill framing is flat and level both directions
- Visually inspect window unit for damage
- Verify rough opening and window unit are the correct size

Window Units

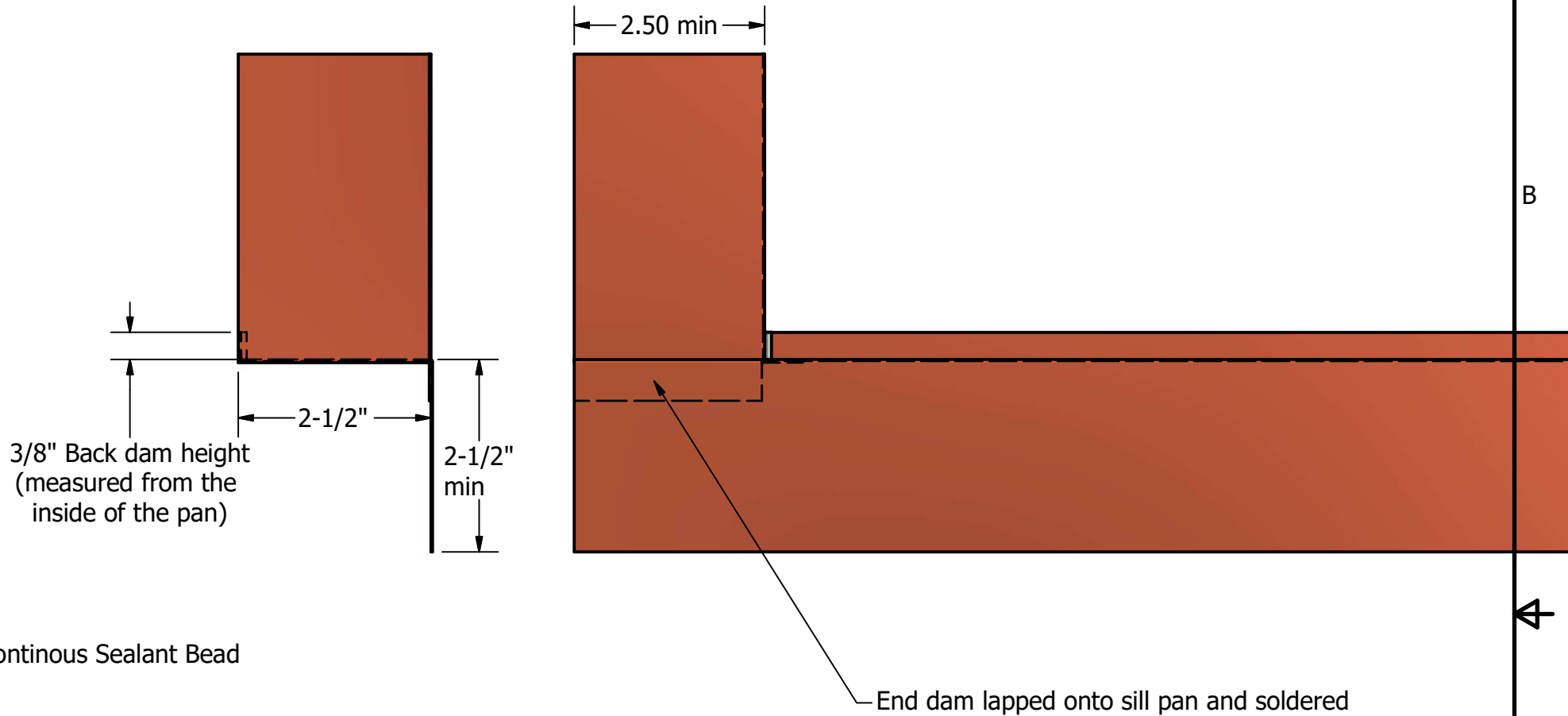


Step 2: Install Drainpan

Detail View



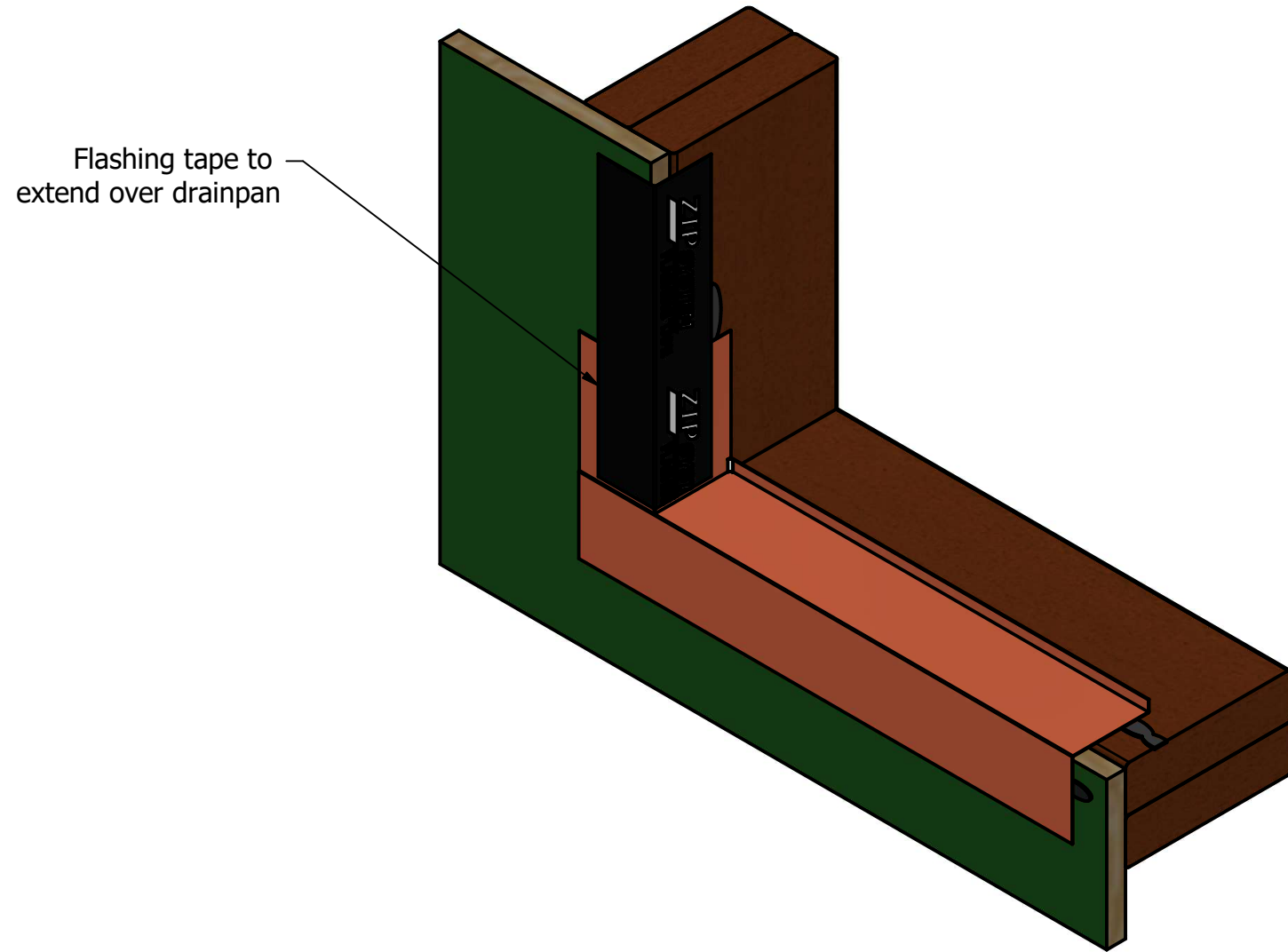
Drainpan Details



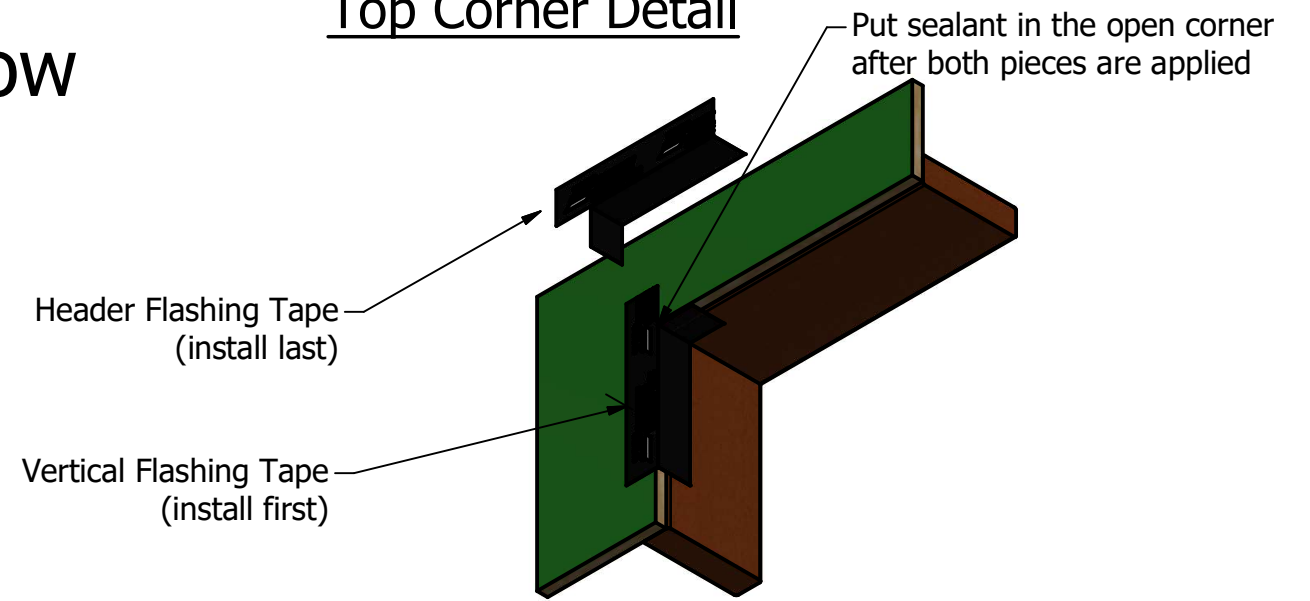
Checklist:

- Drain pan measures correctly
- Sealant is placed on surfaces that are clean & dry
- The drainpan has solid support all the way under it

Step 3: Install Flashing Tape & Prep Window



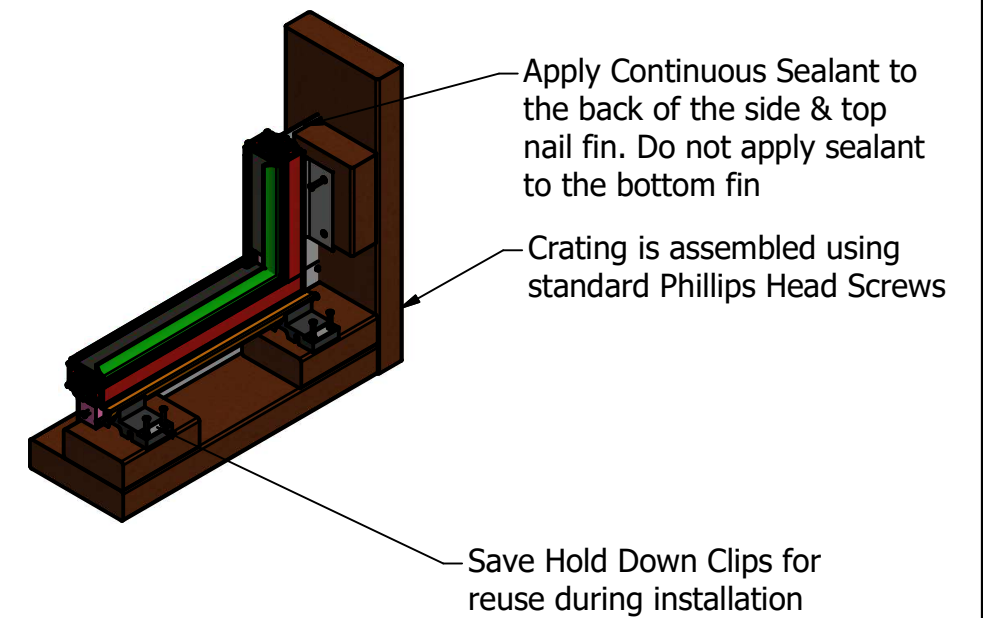
Top Corner Detail



Note: Install vertical flashing tape first, then the head, lapping the joints so they shed water

Window Crate Detail

Important: Move window near opening prior to uncrating. Do not open operable units until they are set and fastened in!



Step 4: Place Window in Opening

Set the unit directly on the drainpan and center it from side to side

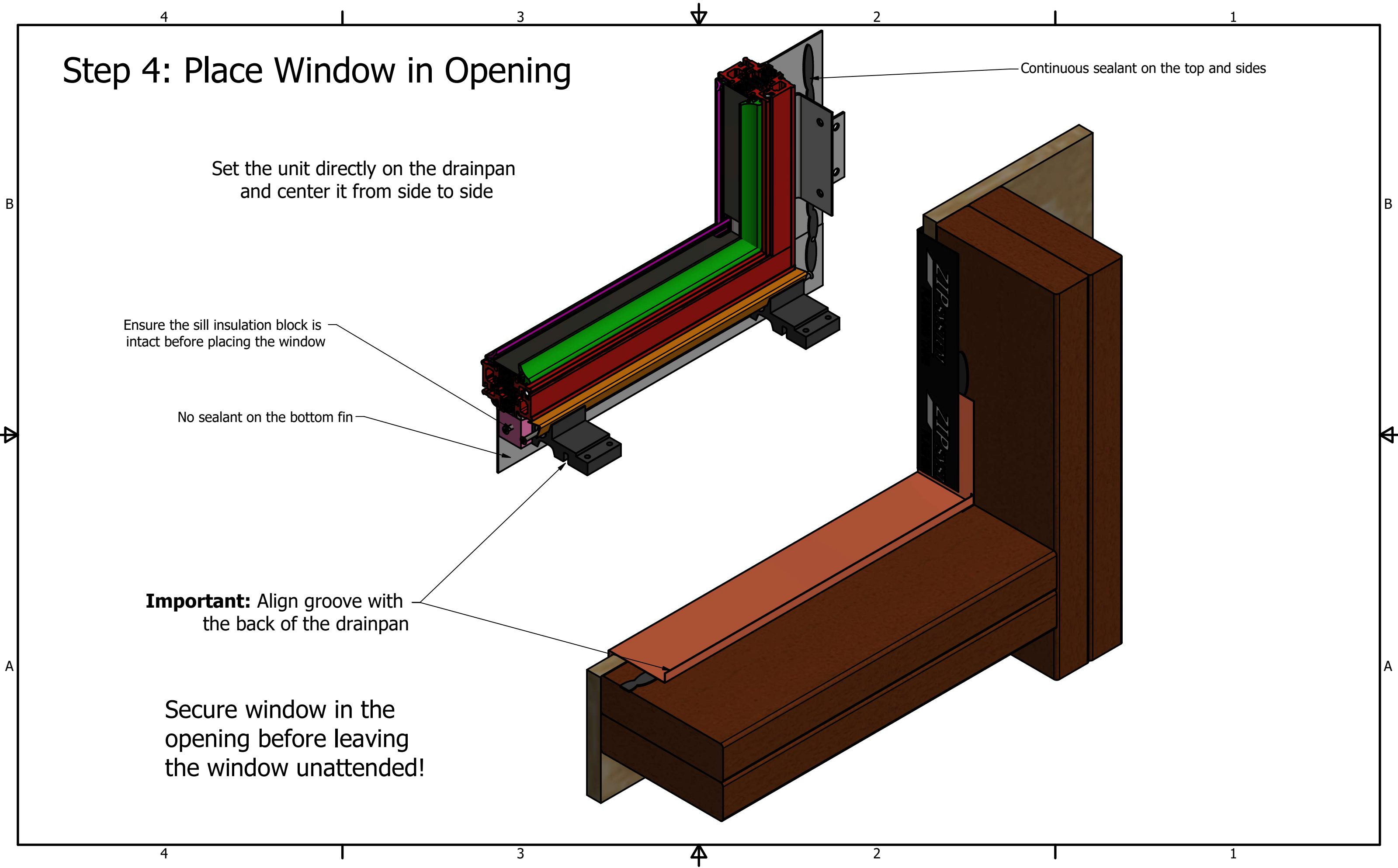
Ensure the sill insulation block is intact before placing the window

No sealant on the bottom fin

Important: Align groove with the back of the drainpan

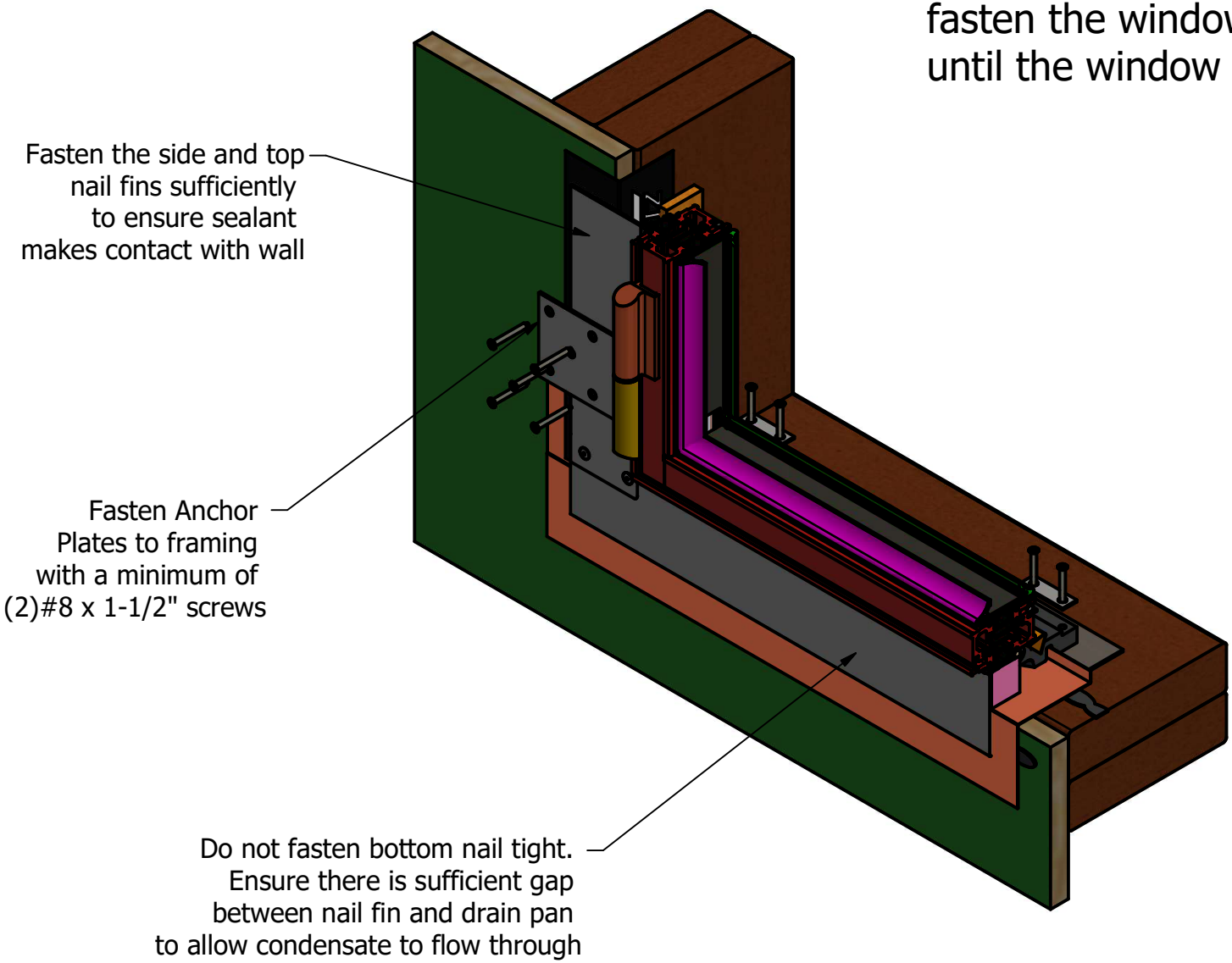
Secure window in the opening before leaving the window unattended!

Continuous sealant on the top and sides



Step 5: Initial Fastening of Window

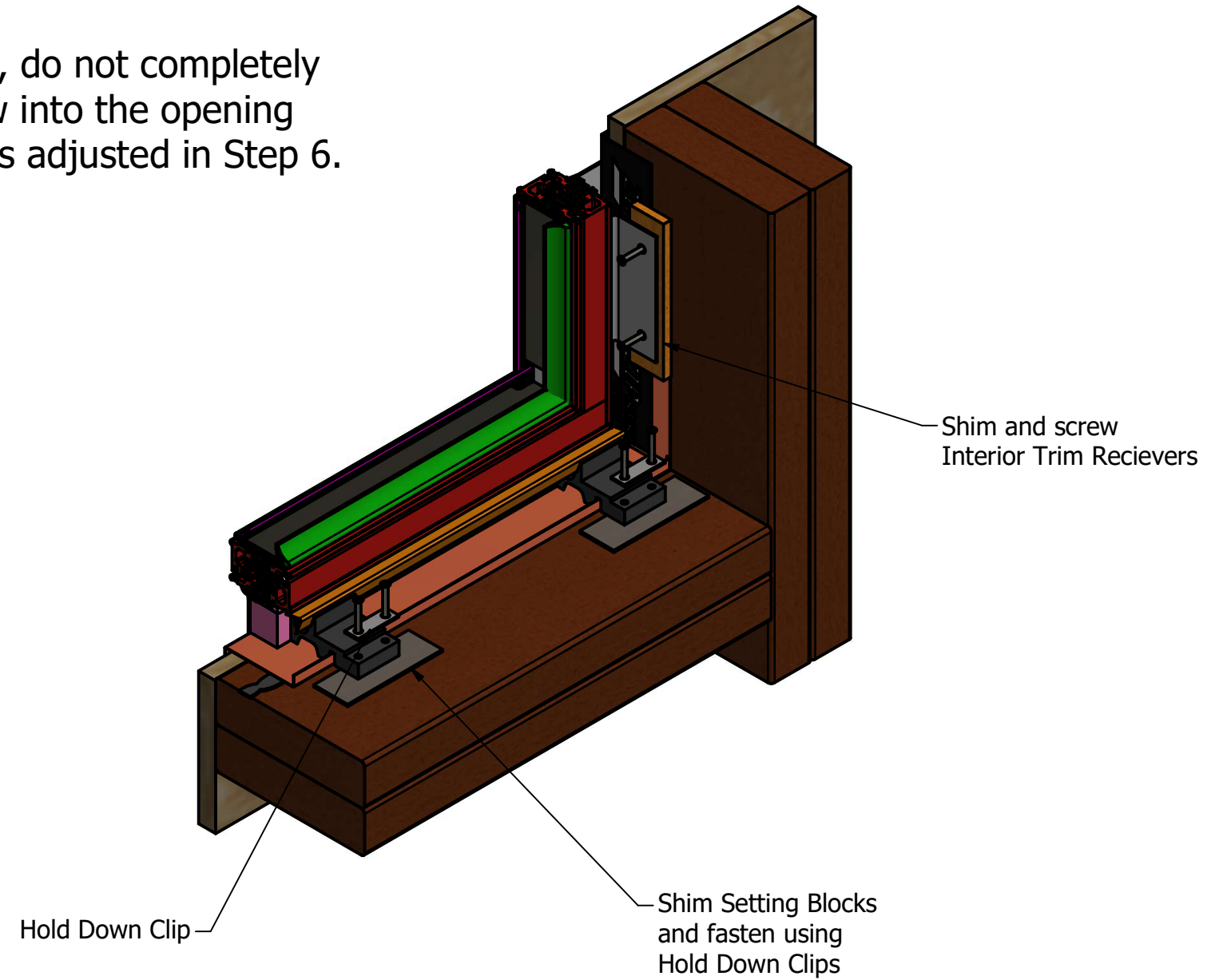
Detail Exterior View



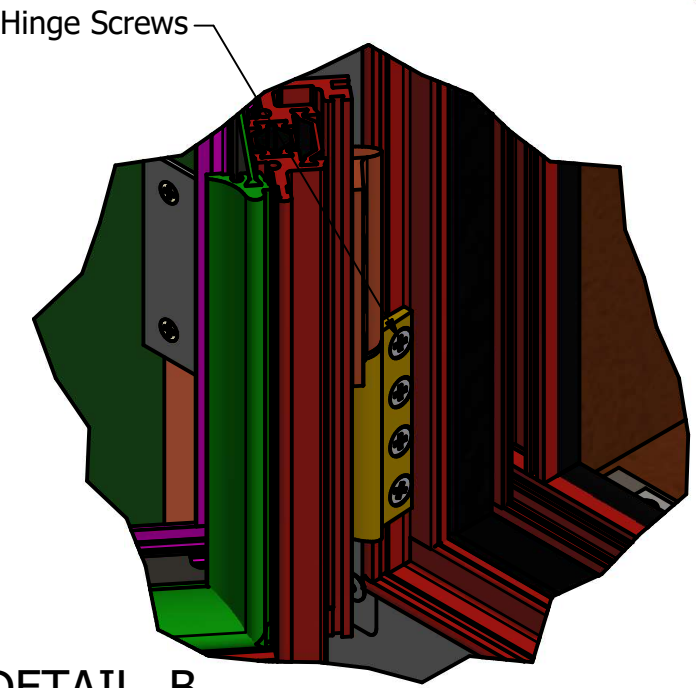
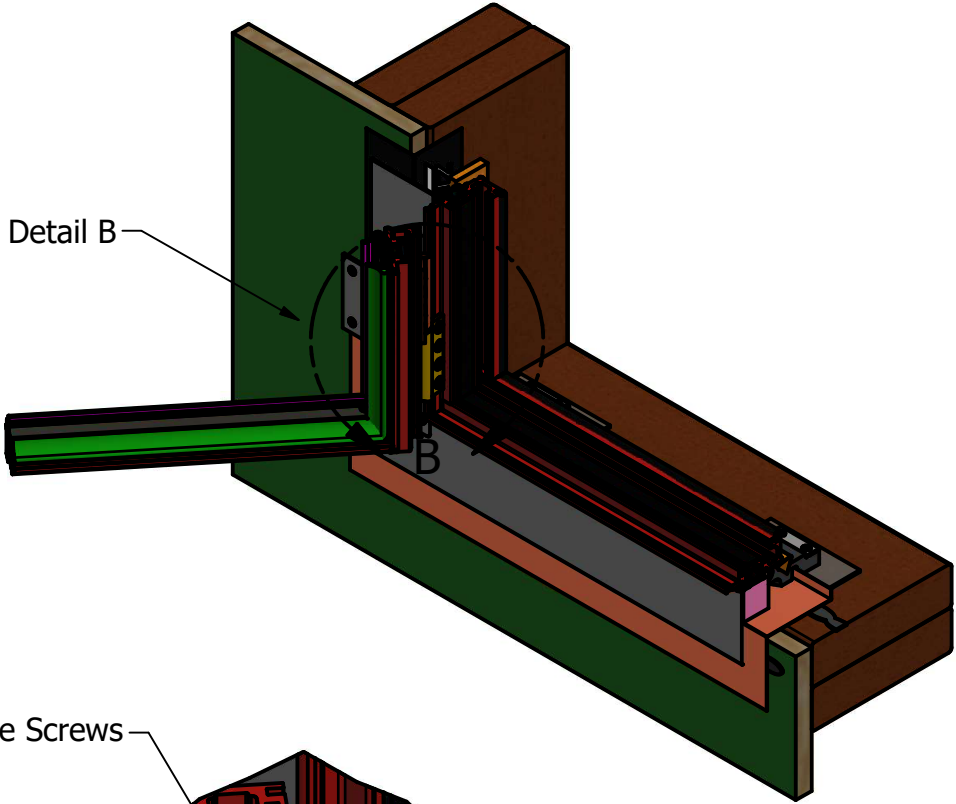
Installer Tip:

On operable units, do not completely fasten the window into the opening until the window is adjusted in Step 6.

Detail Interior View



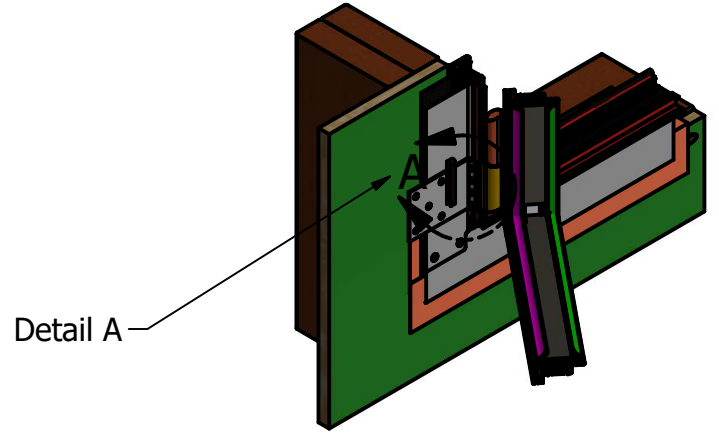
Step 6: Verify Proper Operation



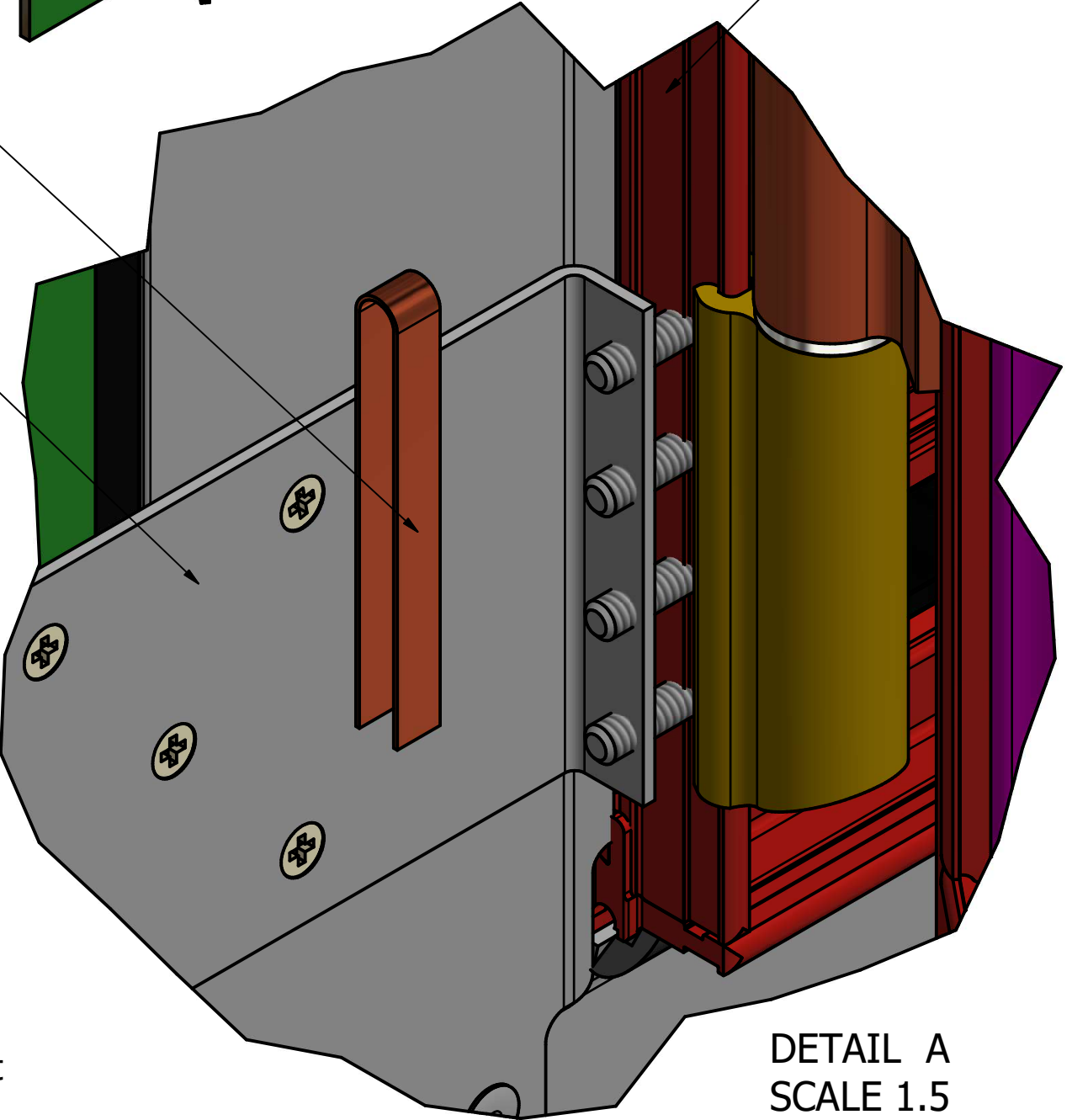
DETAIL B
SCALE 1 / 2

Once window has been secured by the Anchor Plates, open the sash and adjust the frame and sash using the hinge screws for an even reveal all the way around the sash.

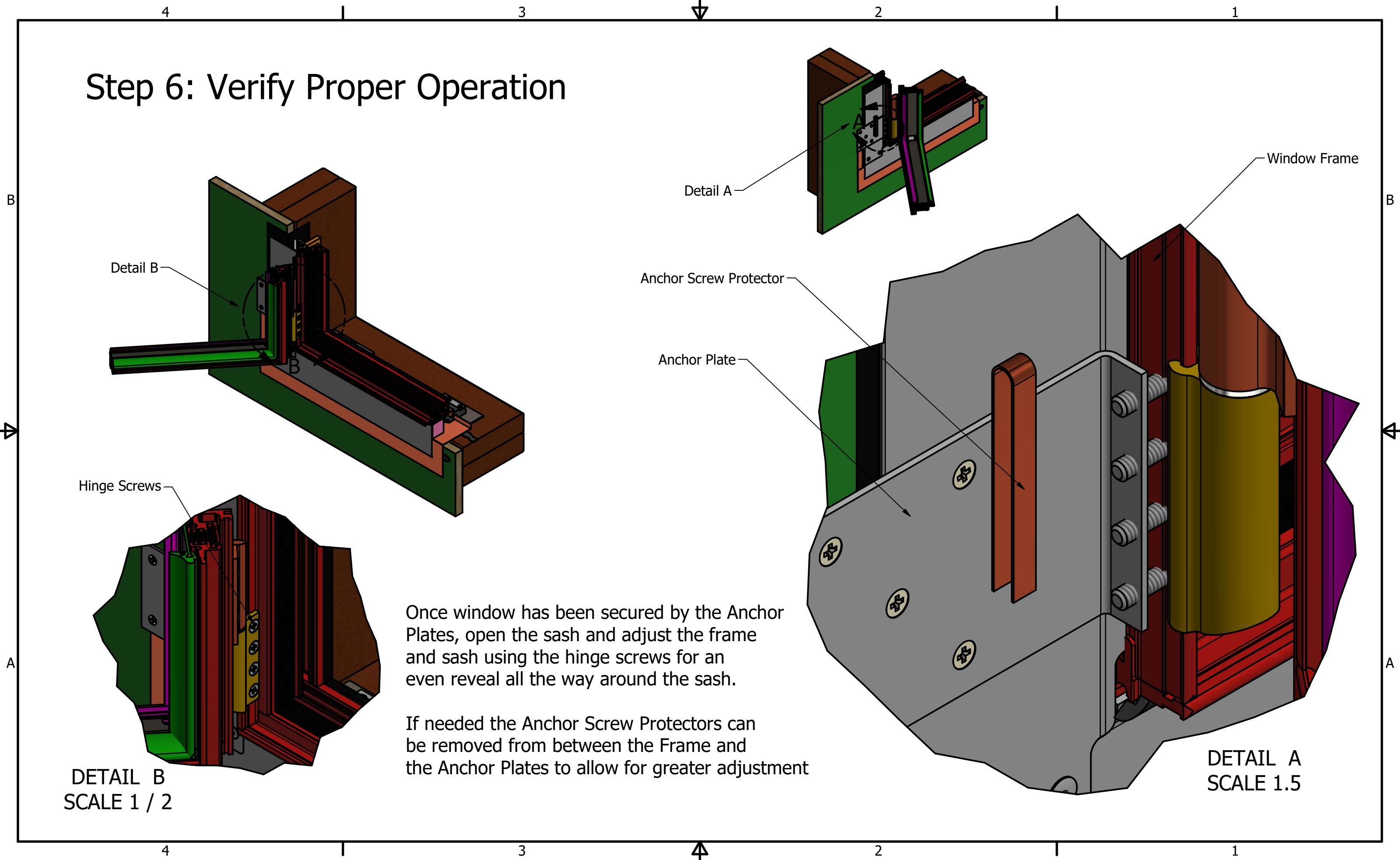
If needed the Anchor Screw Protectors can be removed from between the Frame and the Anchor Plates to allow for greater adjustment



Anchor Screw Protector
Anchor Plate



DETAIL A
SCALE 1.5



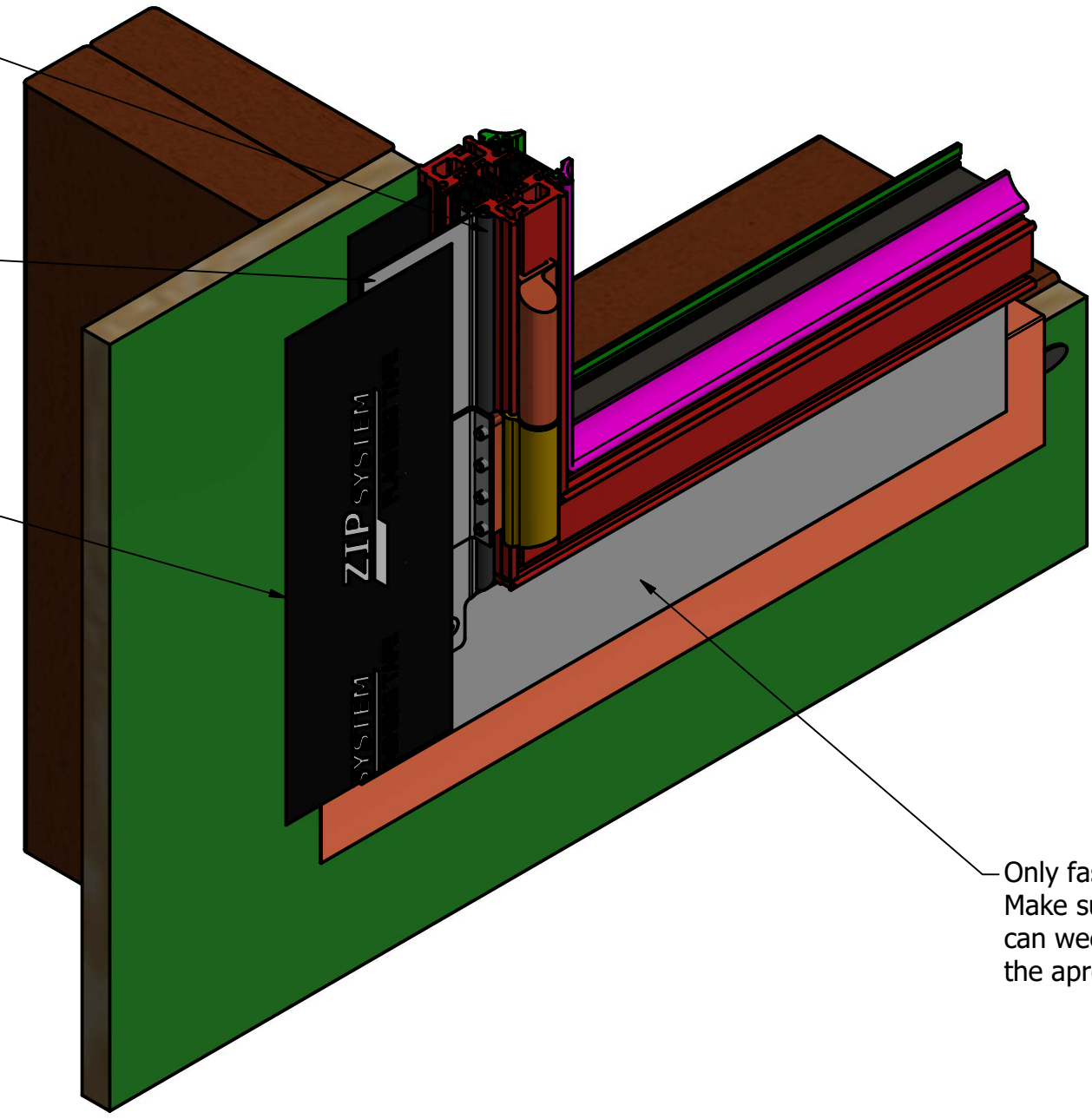
Step 7: Finish Fastening and Weatherize

Apply a sealant bead between Nail Fin and Window Frame on all four sides of the window

Fasten the side and top nail fins every 12" minimum

Install Flashing Tape on sides on top flanges of window

Only fasten bottom flange as needed. Make sure any water in the drain pan can weep between the nail fin and the apron of the Drain Pan.



B

B

A

A

A

A

4

1

3

↓

2

1

1

4

1

3

↓

2

1

1

Step 8: Spray Foam and seal interior

B

B

A

A

4

1

3

↓

2

1

1

4

1

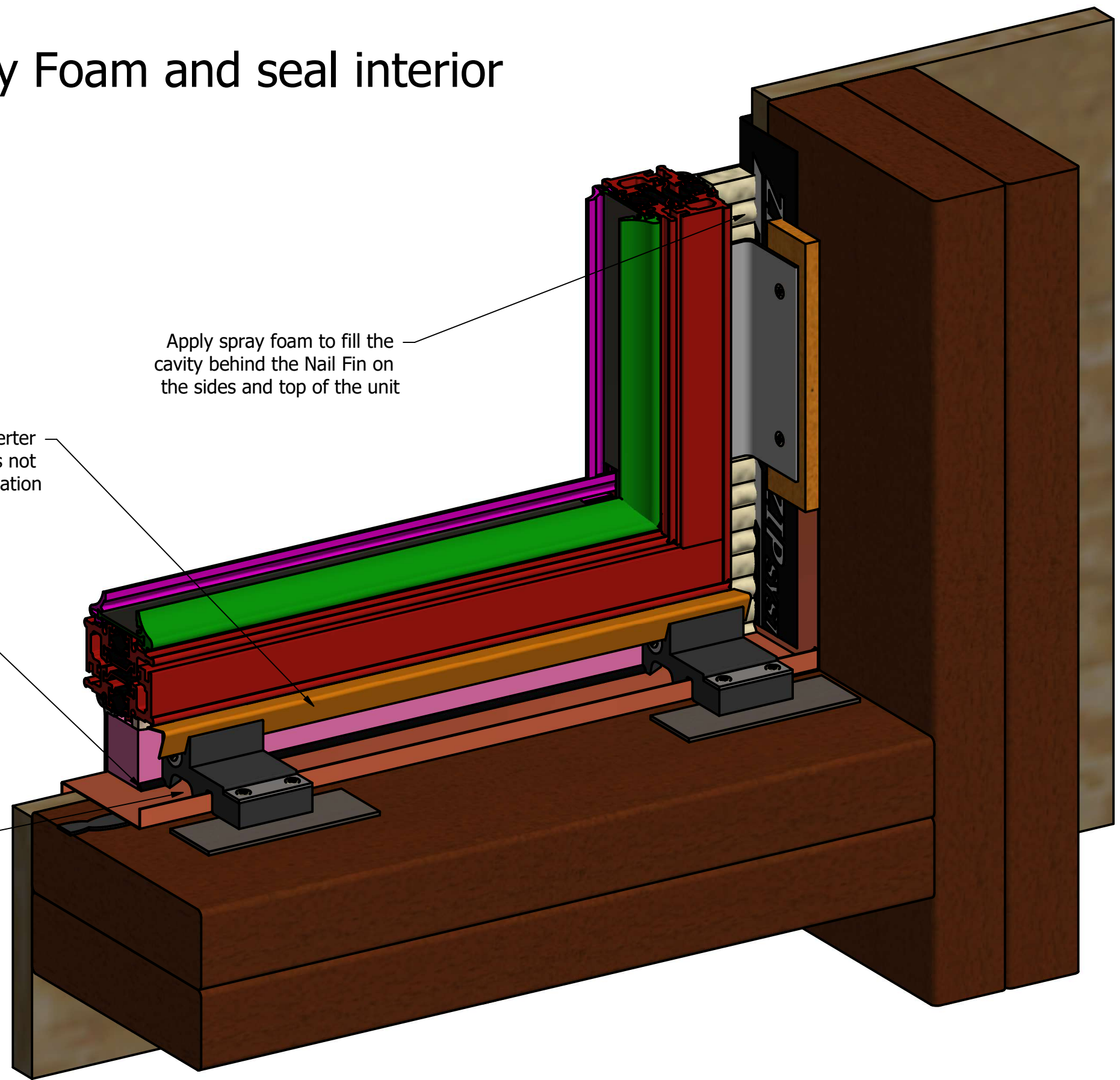
3

↑

2

1

1



Apply spray foam to fill the cavity behind the Nail Fin on the sides and top of the unit

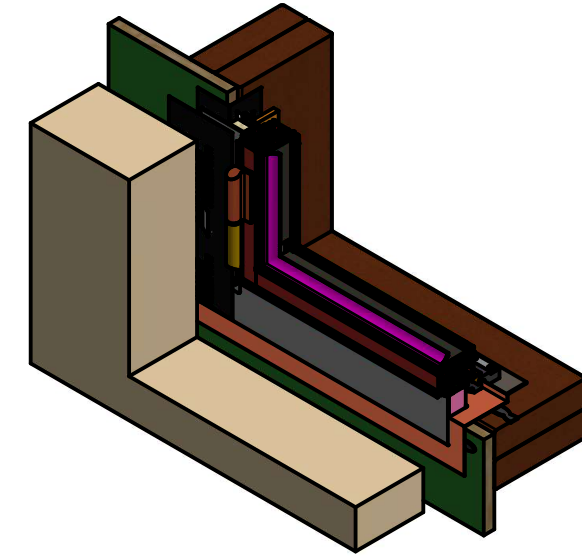
Inspect the Condensate Diverter to make sure it was not bent during installation

Apply a bead of sealant between the Sill Insulation Block and the Drainpan

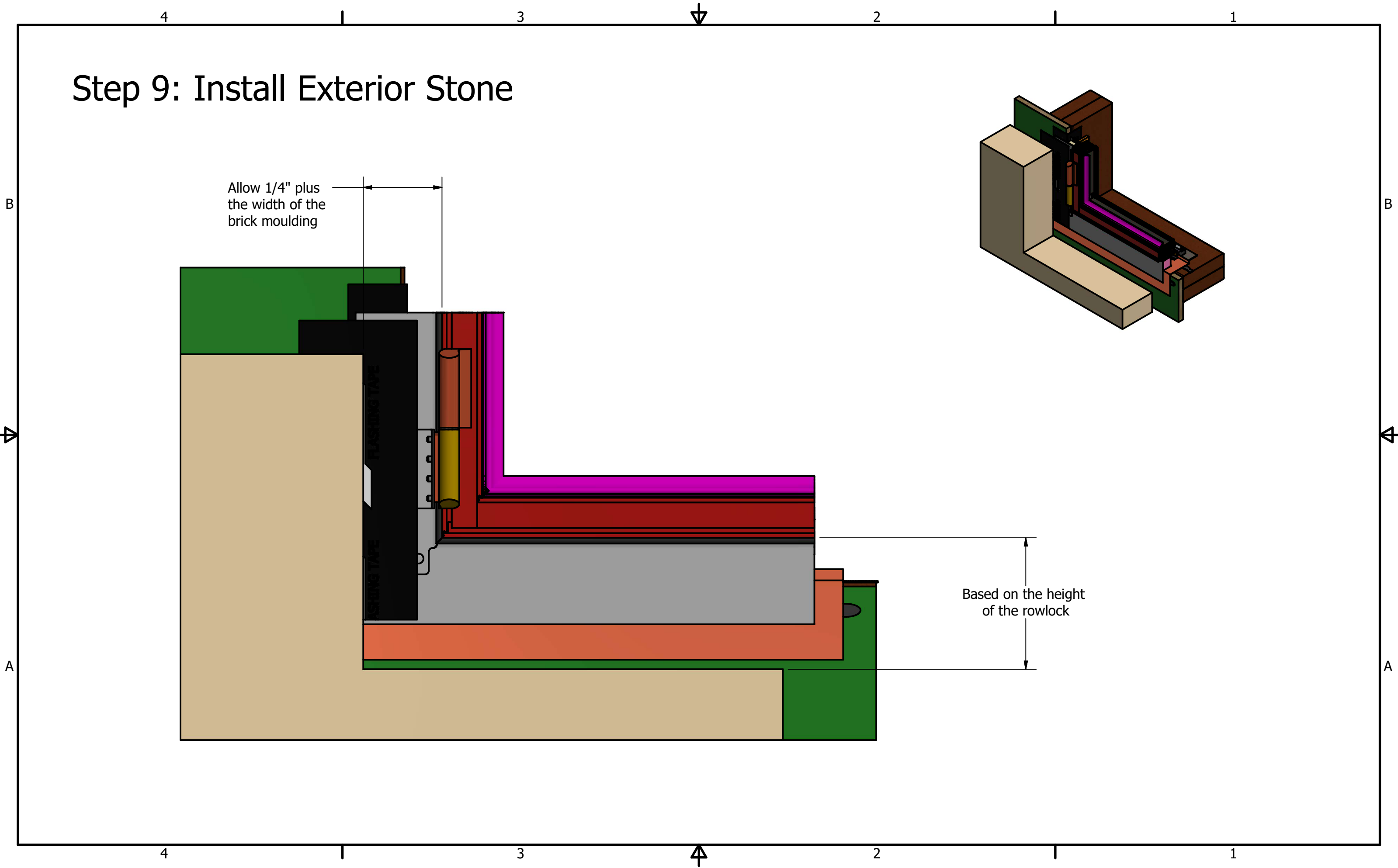
Do not block condensate weep channels in setting blocks

Step 9: Install Exterior Stone

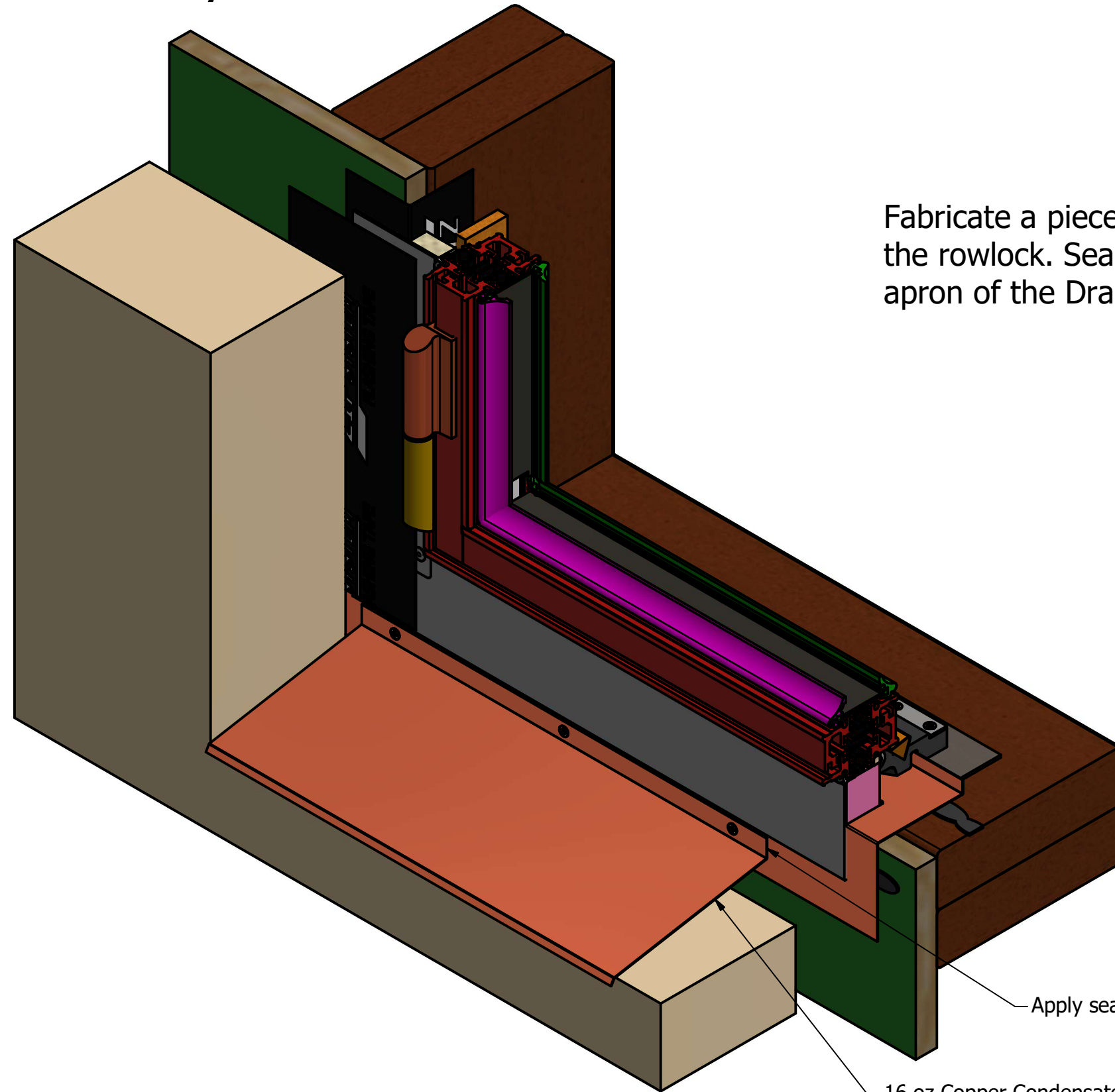
Allow 1/4" plus
the width of the
brick moulding



Based on the height
of the rowlock



Step 10: Install Secondary Water Diverter



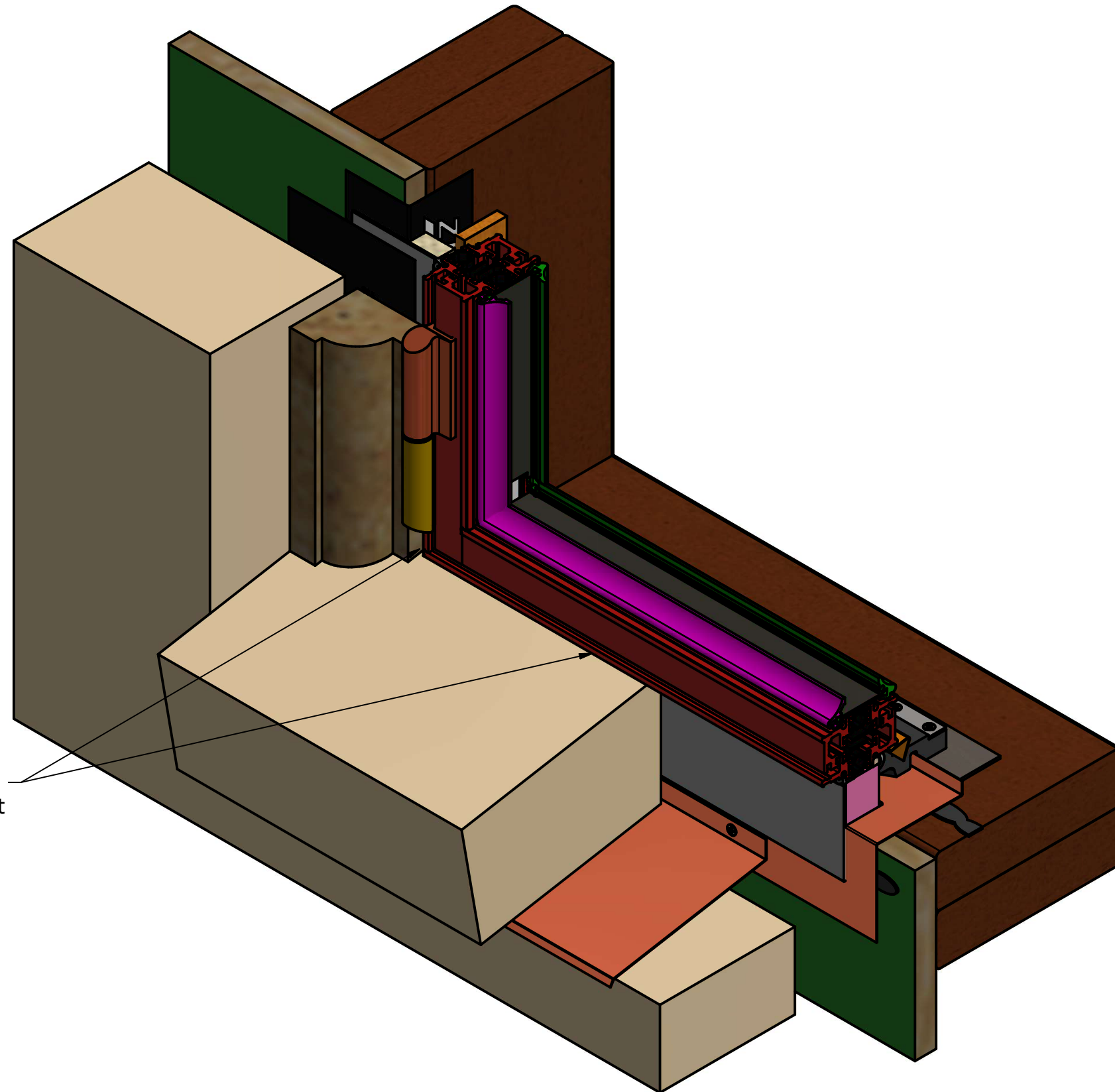
Fabricate a piece of copper to sit under the rowlock. Seal and fasten it to the apron of the Drain Pan per detail

Apply sealant prior to assembly

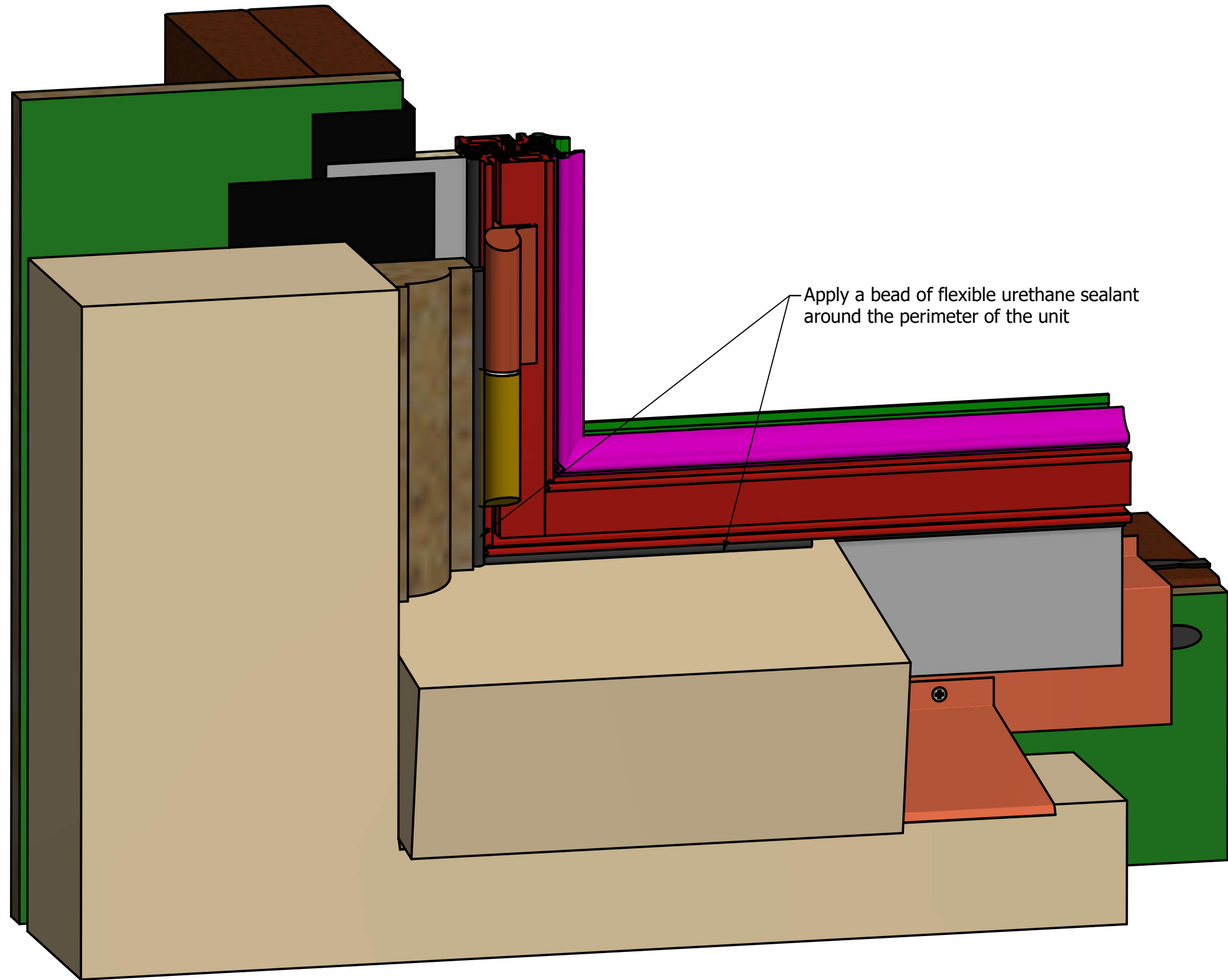
16 oz Copper Condensate Diverter

Step 11: Install Rowlock & Brickmoulding

Allow for 1/4" sealant joint around entire perimeter of unit



Step 12: Apply Decorative Caulk



Apply a bead of flexible urethane sealant around the perimeter of the unit

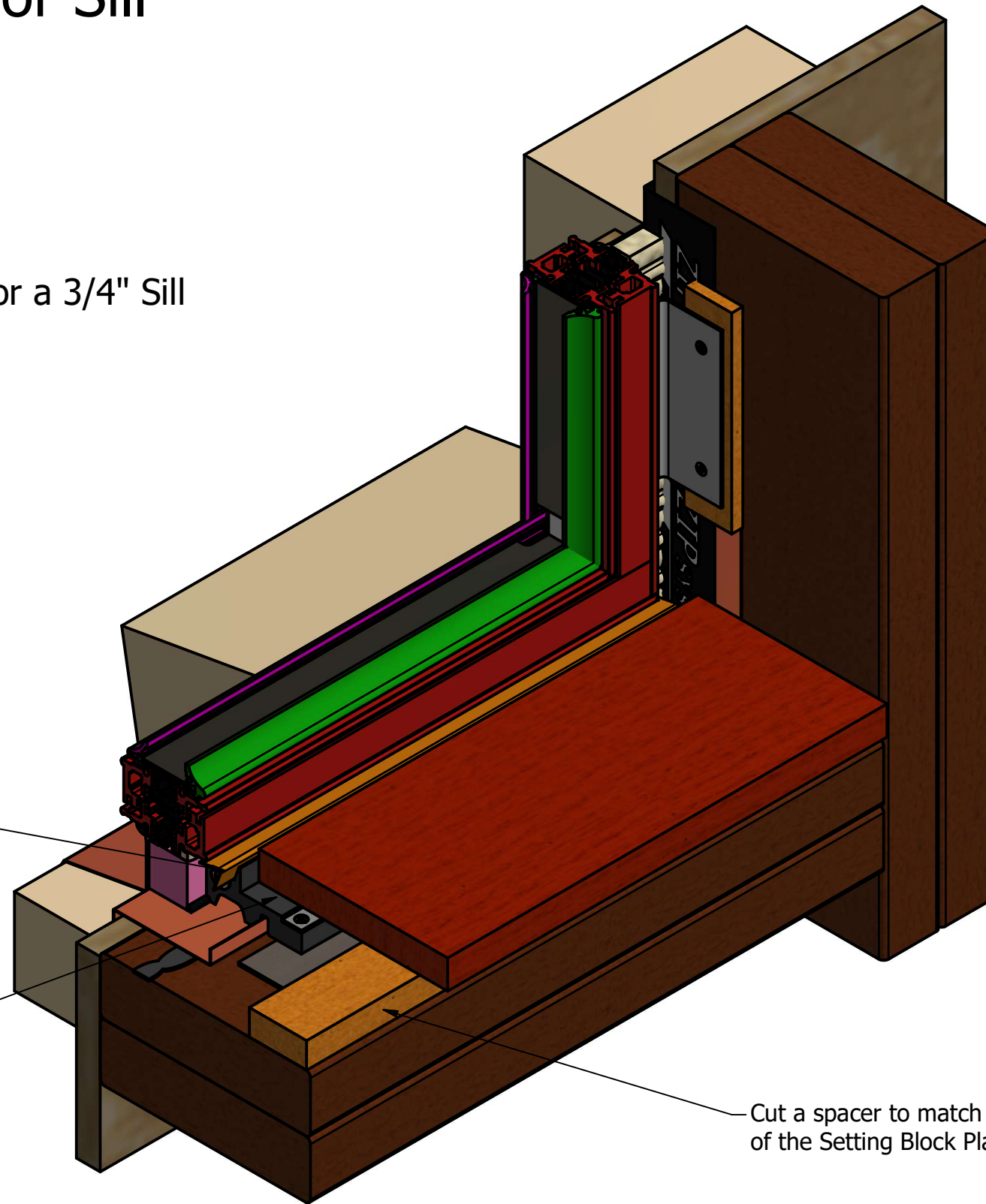
Step 13: Install Interior Sill

Setting blocks are designed for a 3/4" Sill

Apply a small bead of painters caulk to seal between Condensate Diverter and window sill

Apply a Nickel size amount of adhesive to the Setting Block Platform. Do not nail or fasten into the Setting Blocks

Cut a spacer to match height of the Setting Block Platform



Step 14: Install Extension Jambs

Interior Trim Receiver is designed to accept 3/4" extension jambs

Place adhesive on the Interior Trim Receiver pieces

Rip a spacer for support on the inside of the opening

